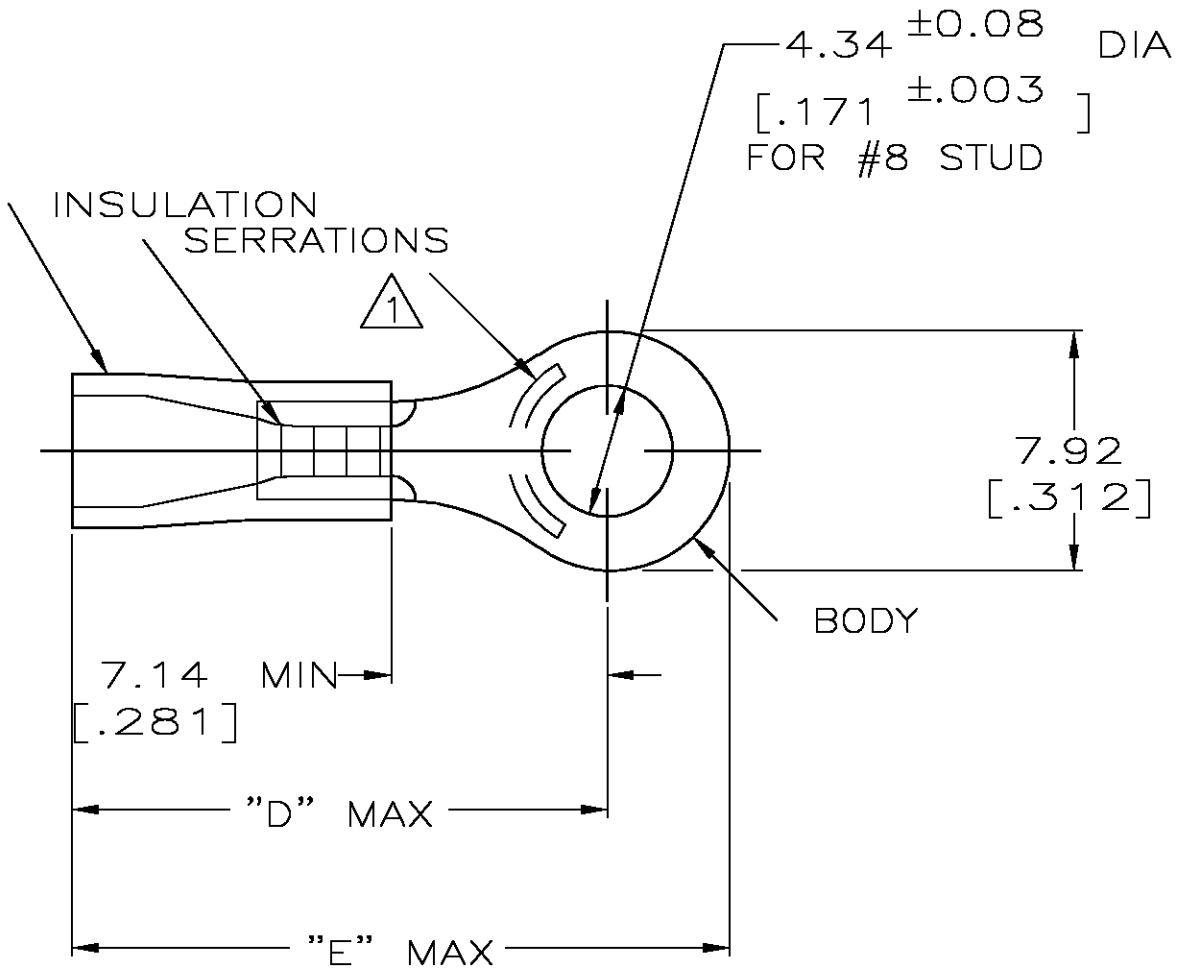


THIS DRAWING IS UNPUBLISHED. RELEASED FOR PUBLICATION
 © COPYRIGHT BY TYCO ELECTRONICS CORPORATION. ALL RIGHTS RESERVED.

LOC	DIST	REVISIONS					
		P	LTR	DESCRIPTION	DATE	DWN	APVD
G	14		S	REV PER 0G3A-0644-04	17AUG04	JR	TM

AMP WIRE RANGE	Listed FILE E13288	LR7189 Certified
22-16 AWG SOLID OR STRANDED	22-16 AWG SOLID OR STRANDED	22-16 AWG SOLID OR STRANDED



- △ 1 STAMP AMP 22-18* 1-2 APPROX AS SHOWN
22-16 TERMINALS ARE STAMPED 22-18 IN
ACCORDANCE WITH MILITARY SPEC MIL-T-7928
COMMERCIAL WIRE RANGE IS 22-16
- 2 TONGUE MATERIAL THK: 0.79^{±0.05} [.031^{±.002}]
- △ 3 MATERIAL: BODY - CU PER ASTM B152
SLEEVE - PVC, COLOR - RED

"E"	"D"	WIRE INSULATION DIA	QTY	PACKAGE TYPE	PART NUMBER
21.74[.856]	17.70[.697]	2.67-3.56[.105-.140]	100	LOOSE PC, BOX	8-34148-1
22.99[.905]	18.95[.746]	2.67-5.08[.105-.200]	5000	ON TAPE, REEL	2-34148-4
21.74 [.856]	17.70 [.697]	2.67-3.56 [.105-.140]	5000	ON TAPE, REEL	2-34148-1
			1000	LOOSE PIECE	34148

**AMP INCORPORATED
CUSTOMER SERVICE SYSTEMS**

FOR ADDITIONAL PRODUCT INFORMATION OR COPIES OF DRAWINGS AND TECHNICAL DOCUMENTS
 PRODUCT INFORMATION CENTER
 1-800-522-6752

FOR APPLICATION TOOLING ASSISTANCE CENTER
 TOOLING INFORMATION
 1-800-722-1111

FOR ORDER ENTRY
 1-800-526-5142

MAX RECOMMENDED OPERATING TEMPERATURE:
 105°C [221°F]

VOLTAGE RATING:
 600V MAX
 (1000V FIXTURE OR SIGN)

CIRCULAR MIL AREA:
 0.26-1.65mm² [509-3260]
 SOLID OR STRANDED

THIS DRAWING IS A CONTROLLED DOCUMENT.

DIMENSIONS: MM [INCHES]

TOLERANCES UNLESS OTHERWISE SPECIFIED:

0 PLC	± -
1 PLC	± -
2 PLC	± 0.20[.008]
3 PLC	± -
4 PLC	± -
ANGLES	± -

MATERIAL: TIN PER ASTM B545

DWN DK SCHRUM 08/06/92
 CHK RE HERSEY 11/10/92
 APVD M BARNABA 11/10/92

tyco Electronics Tyco Electronics Corporation
 Harrisburg, Pa 17105-3608

NAME: TERMINAL, RING TONGUE, PLASTI-GRIP WIRE SIZE, 22-16 AWG

PRODUCT SPEC: UL 486A

APPLICATION SPEC: -

WEIGHT: -

SIZE: A3 CAGE CODE: 00779 DRAWING NO: C-34148 RESTRICTED TO: -

CUSTOMER DRAWING SCALE: 4:1 SHEET: 1 OF 1 REV: S